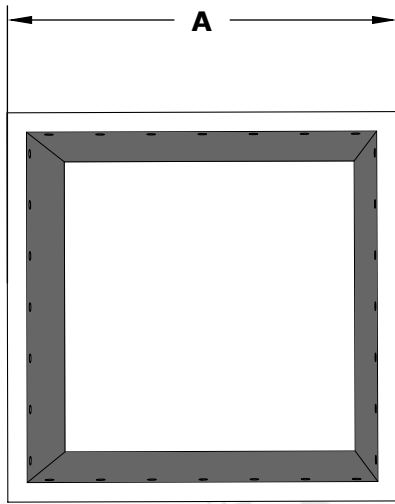
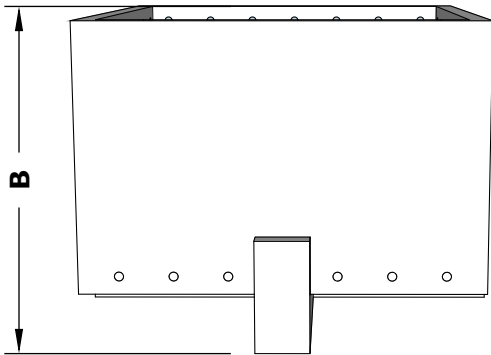


The Helix Fire Sculpture

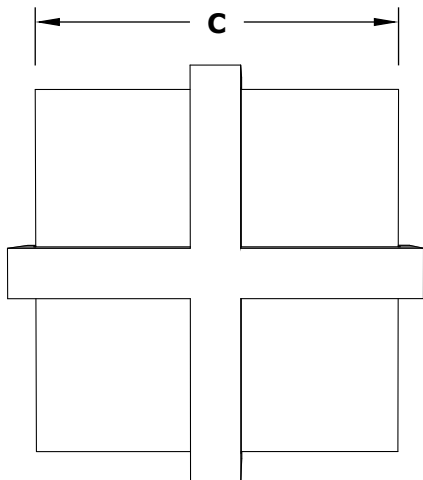
Metal - Powder Coat/ Corten Steel/ Stainless Steel



TOP VIEW



FRONT SIDE VIEW

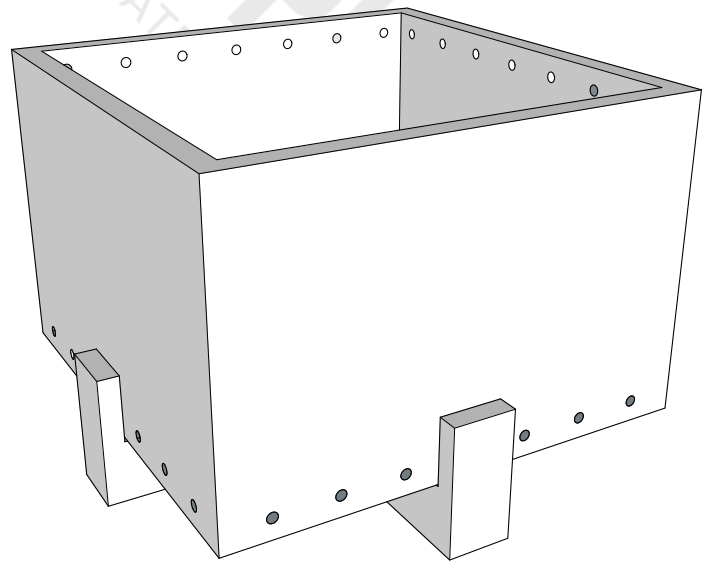


BOTTOM VIEW

SPECIFICATION

| PART NUMBER | A | B | C |
|-------------|-----|-----|-----|
| TFL-HLX22 | 22" | 15" | 19" |
| TFL-HLX36 | 36" | 15" | 33" |

Wood Burning Unit



ISOMETRIC VIEW

| | |
|--------------|---------------|
| Drawn By | Mia L. |
| Date Created | July 19, 2023 |