



Tempest™ Pillar Mount

(sku 94800826)

Compatibility

This post is for use with the following permanent-mount Tempest models

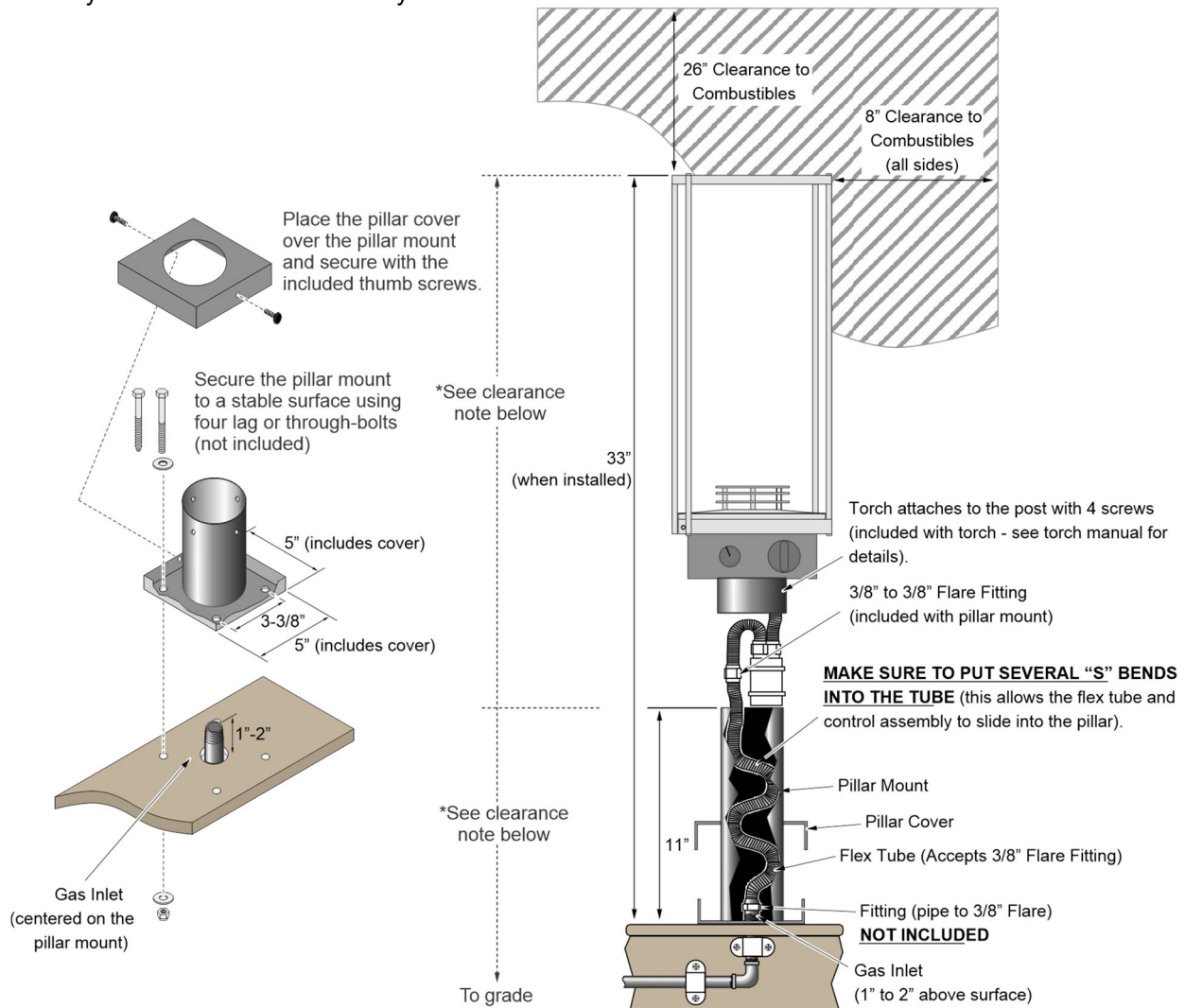
- **Tempest Torch 24v** (LP - 94900755 & NG - 94900745)
- **Tempest Torch Manual Start** (LP - 94900753 & NG - 9490043)
- **Tempest Lantern 20k - 24v** (LP - 94900757 & NG - 94900747)
- **Tempest Lantern 20k - Manual Start** (LP - 94900756 & 94900746)
- **Tempest Lantern 50k - 24v** (LP/NG – 94900748)

Packing List

- Pillar Mount
- Pillar Cover
- 16" Gas Flex Line
- 3/8" to 3/8" Flare Fitting
- (2) 8-32 Thumb Screws

Pillar Mount Attachment – Tempest Torch & Lantern 20k (for Lantern 50k see next page)

NOTE: The illustration below is for example only. Make sure to follow all gas line and building code requirements for your location. The base may be shimmed to level the mount.



***NOTE:** The distance from ground level to the top of the Torch shall be a minimum of 7' (2.1m) where installed within 2' (0.6M) of public walkways (e.g.: sidewalk, shared walkway between two homes, or pathway in commercial applications). Lesser clearances shall be permitted to be used only where acceptable to the authority having jurisdiction.

63" - Minimum height above grade the top of the post must be above grade to meet this requirement.

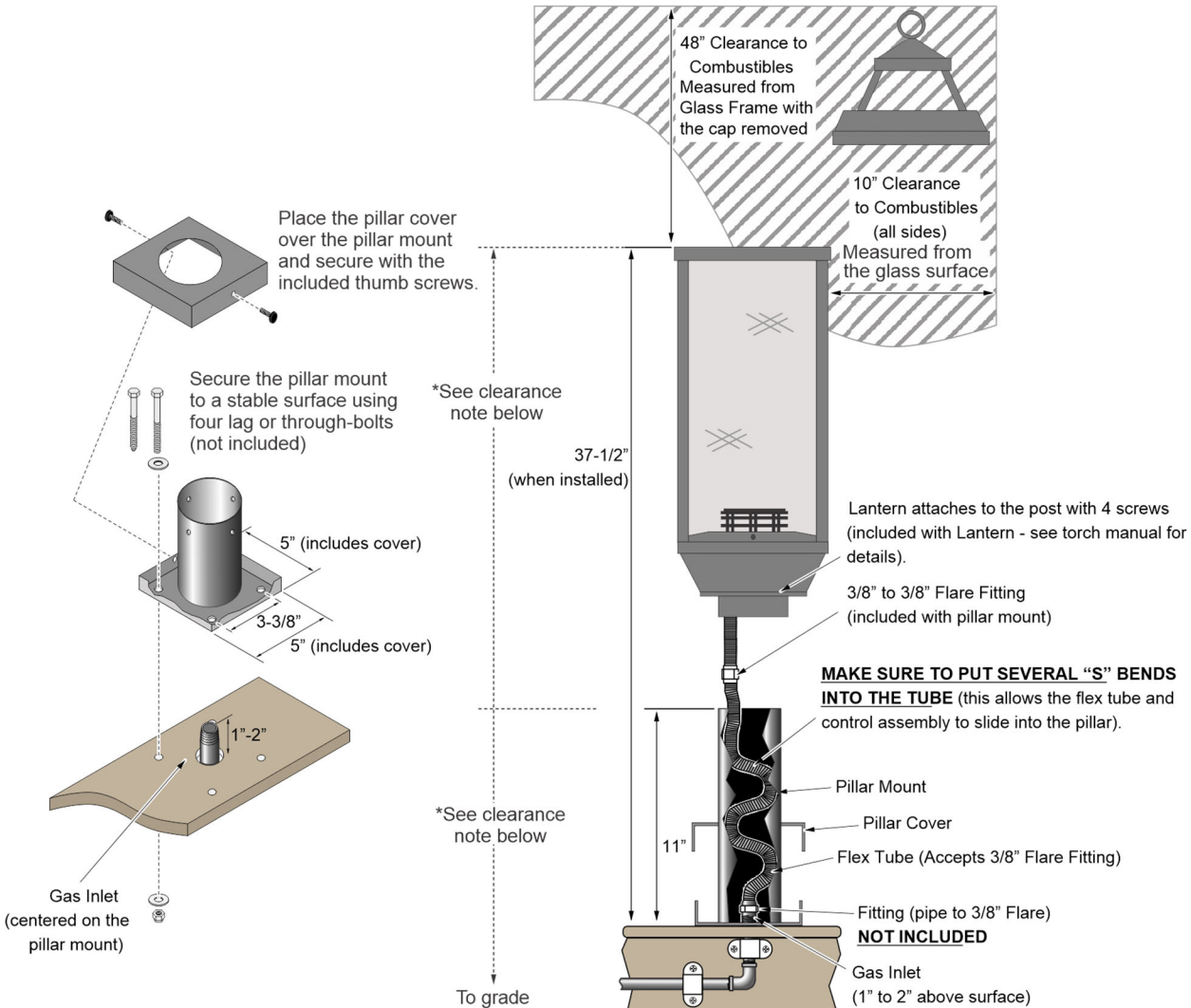


Tempest™ Pillar Mount

(sku 94800826)

Pillar Mount Attachment – Tempest Lantern 50k

NOTE: The illustration below is for example only. Make sure to follow all gas line and building code requirements for your location. The base may be shimmed to level the mount.



***NOTE:** The distance from ground level to the top of the Lantern shall be a minimum of 7' (2.1m) where installed within 2' (0.6M) of public walkways (e.g.: sidewalk, shared walkway between two homes, or pathway in commercial applications). Lesser clearances shall be permitted to be used only where acceptable to the authority having jurisdiction.

58-1/2" - Minimum height above grade the top of the post must be above grade to meet this requirement.



Tempest™ Pillar Mount

(sku 94800826)

Suggested Order of Installation

1. Determine a location for the pillar mount.
2. Route the gas line to the center of pillar mount location, placing the gas inlet 1" to 2" above the surface and cap the gas line. You may wish to leak test the gas line at this time.
3. Place the pillar mount in location and mark the four mounting holes. Drill appropriate holes in this location for the type of fasteners being used. Do not secure the pillar mount at this time.
4. Slide the pillar cover (included with this kit) and control cover (included with the torch) over the pillar mount.
5. Attach the flex tube (included with this kit) to the 3/8" to 3/8" flare fitting (included with this kit) then attach to the flex tube on the Tempest head.

NOTE: Do not install the glass on the head at this time – wait until the Tempest is fully installed before installing the glass. Slide the flex tube through the pillar mount and attach to the gas line. With the flex tube and gas line fully secured, turn on gas to the Tempest and leak test the gas line connections.

6. Route the 24-volt wires through the mount and connect them to the Tempest head (see Tempest manual for details).
7. Position the pillar mount over the mounting holes and secure.
8. Place the head over the pillar mount and secure with the four screws (included with the Tempest).

NOTE: The flex tube may fit very tightly within the pillar mount. We suggest that you place several bends in the tube before installing.

9. Attach the control cover and glass on the Tempest (see the Tempest manual for details).