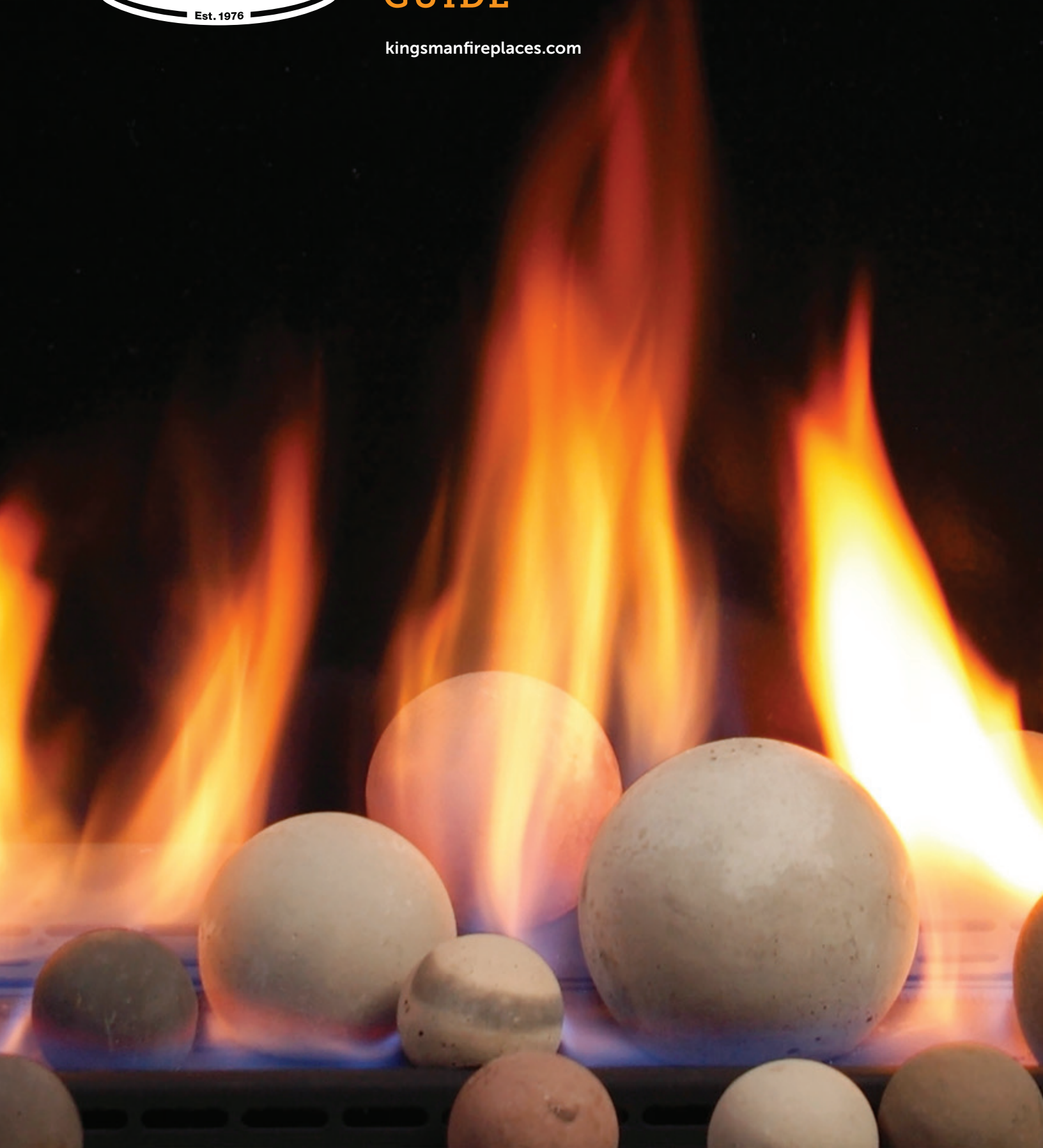




PRODUCT GUIDE

kingsmanfireplaces.com





FIREPLACE BASICS

DIRECT VENT GAS FIREPLACES

Coaxial vent system of a pipe inside a pipe (generally 4"/7") the inside pipe is for exhaust, while the outer pipe brings in outside air for combustion. The design of these fireplaces allow for a completely sealed system that does not compromise inside air quality of your home. It also lets you vent a product horizontally (great for when an appliance is installed on an outside wall). Direct vent appliances are usually limited to a length of 40ft (with a maximum horizontal length of 20ft) that will allow an appliance to function properly.

VENT-FREE GAS FIREPLACES

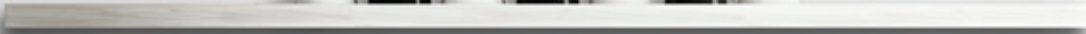
No chimney systems are required and this product can be used almost anywhere in your home (except in bathroom, bedroom, spa room, mobile home, or recreational vehicle), but provisions for adequate combustion and ventilation must be provided (room size and BTU's of appliance are the deciding factors of what btu size can be used for a particular installation). The appliance uses room air for combustion and exhausts to the room. These appliances are 99.9% efficient and the vent-free burner systems have an ODS pilot system, which ensures that the burner systems will shut down if oxygen in the room falls below acceptable limits. Approved for use in the USA only.



THE ULTIMATE IN DESIGN,
QUALITY AND ENGINEERING .



CRAFTED ENTIRELY IN CANADA, EACH KINGSMAN FIREPLACE
IS BUILT TO THE HIGHEST STANDARDS AND MADE TO LAST.



CONTENTS

GAS FIREPLACES	5	FREESTANDING STOVES	53
DIRECT VENT		DIRECT VENT	
HBZDV3624/28, HBZDV4224/28	6	FDV200S	54
HBZDV4736	10	FDV350	55
ZCV34/39/42	12	FDV451	56
ZCV3622	16	VENT-FREE	
ZCVRB3622	20	FVF350	59
ZCVRB47/60	24	FREESTANDING STOVE DIMENSIONS	60
MULTI-SIDED DIRECT VENT		OUTDOOR LIVING	61
MCVP42 PENINSULA	30	FIRE PITS	
MCVST42 SEE-THROUGH	34	FP2085/2785	62
VENT-FREE		OUTDOOR FIREPLACES	
ZVFCV39/42/47	38	OFP42	66
GAS FIREPLACE VIEWING AREA DIMENSIONS	40	BURNERS	
GAS FIREPLACE INSERTS	43	OB24/36/48/72/96MVN	68
DIRECT VENT		OUTDOOR LIVING VIEWING AREA DIMENSIONS	70
IDV24/34/44	44	STYLING OPTIONS	71
IDV26	50	LOG SETS	
GAS FIREPLACE INSERT DIMENSIONS	52	VENTED / VENT-FREE LOG SETS	72
		LOG SETS	73
		ACCESSORIES	74
		WARRANTY	75

GAS FIREPLACES

Warm up your favorite room with the beauty of a Kingsman Gas Fireplace. Available in natural gas and propane, Kingsman quality fireplaces let you enjoy the beauty of glowing embers and dancing flames.

DIRECT VENT

The design of these Direct Vent Gas Fireplaces allows for a completely sealed system that does not compromise inside air quality of your home.

MULTI-SIDED

Make the most of the best view in the house with our line of Direct Vent Multi-Sided Gas Fireplaces. Ideally suited for new construction or renovations anywhere in your home.

VENT-FREE*

With no chimney systems required, this product can go almost anywhere in your home, with adequate provisions for combustion and ventilation.

**Vent-Free appliances can only be installed in some areas of the United States.*



HBZDV3624/28, HBZDV4224/28

ZERO CLEARANCE **DIRECT VENT** GAS FIREPLACE

Designer Clean View™ or louvered fireplaces

Kingsman's Direct Vent models are easily adaptable to our patented Designer Clean View technology or standard louvers. Enjoy an incredible line of options and styles – from contemporary to classic – plus the beauty and pleasure of a cozy fire.



HBZDV4228N

LOGC44 Log Set (Burnt Oak)
HB42RLT Liner (Traditional Brick)



HBZDV3628N
LOGC44 Log Set (Burnt Oak)
HB36RLH Liner (Herringbone Brick)
HB36CVCK Circulating Kit(Designer Clean View)





HBZDV3628N
HB36GBL Grill (Black)
LOGC44 Log Set (Burnt Oak)
HB36RLH Liner (Herringbone Brick)

HBZDV3624/28, HBZDV4224/28 OPTIONS

LOG SET



LOGC44 (burnt oak)

SURROUND



Black (for Louvered models only)

THERMOSTAT



REMOTE CONTROL



PF1 or MV

LINERS



RLT (traditional brick)



RLH (herringbone brick)



PL (porcelain reflective)



HBZDV4736

ZERO CLEARANCE **DIRECT VENT** GAS FIREPLACE

The ultimate in Zero Clearance Direct Vent Fireplaces for new home construction or renovation, and your best choice for installation anywhere throughout your home.

HBZDV4736N

LOGF36 Log Set (Oak)

HB47CVCK Circulating Kit (Designer Clean View)

HB47RRH Liner (Red Herringbone Brick)



HBZDV4736 OPTIONS

LOG SETS



LOGF36 (oak)

THERMOSTAT



REMOTE CONTROL



PF1 or MV

LINERS



RLT (traditional brick)



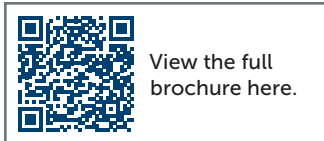
RLH (herringbone brick)



RRH (red herringbone brick)



PL (porcelain reflective)





ZCV34/39/42

ZERO CLEARANCE **DIRECT VENT** GAS FIREPLACE



ZCV34NH

LOGC44 Log Set (Burnt Oak)

ZCV34PL Line (Porcelain Reflective)





ZCV39NH
ZCV39GT Glass Tray
RBCB1 Media (Cannonballs)
ZCV39PL Liner (Porcelain Reflective)
ZCV39S2PFBL Surround
(Picture Frame 1 5/8" Wide)



ZCV39NH
LOGF3 Log Set (Oak)
ZCV39RLS Liner (Stacked Brick)

ZCV39/42



ZCV39NH
ZCV39GT Glass Tray
Ember Glass (Bronze)
ULK2 Universal Light Kit
ZCV39PL Liner (Porcelain Reflective)
ZCV39S1PFBL Surround (4" Wide, Black)



ZCV39NH
LOGF3 Log Set (Burnt Oak)
ZCV39RLH Liner (Herringbone Brick)



ZCV39NH
ZCV39GT Glass Tray
RBCB1 Cannonballs
ZCV39PL Liner (Porcelain Reflective)

Ask us about our vented chase options:

- Combustible materials may cover the face of the fireplace
- Chase walls will be cool to the touch
- Mantel height is lower than Non-Vented Chase
- Chase must be vented at the top with a specified grill or opening size



Visit [kingsmanind.com](https://www.kingsmanind.com)
for more information.

ZCV34/39/42 OPTIONS

LOG SETS



LOGF3 (burnt oak)
ZCV39/42 only



LOGC44 (burnt oak)
ZCV34 only

MEDIA



Z5GC EMBER GLASS (bronze)



RBCB1 (cannonballs)

LINERS



RLT (traditional brick)



RLH (herringbone brick)



RRH (red herringbone brick)



RLS (stacked brick)



PL (porcelain reflective)

SURROUNDS



1 5/8" W (black)



4" W (black)

THERMOSTAT



REMOTE CONTROL



PF1 or MV



ZCV3622

ZERO CLEARANCE **DIRECT VENT** GAS FIREPLACE

Enjoy an incredible line of options and styles from contemporary to classic, plus the beauty and pleasure of a cozy fire.

Enjoy the elegance and warmth of glowing embers and dancing flames around our traditional oak log set. It is sure to be the focal point of your home.

Choose from a variety of decorative options to create your own distinctive appearance and be assured of complete safety, comfort and long lasting value. With a fully sealed combustion chamber there is no pollution spillage to depreciate the indoor air quality of your home.



ZCV3622N
LOGC51 Log Set (Oak)
ZCV36SWFBL Flat Surround (Black)
ZCV3622PRL Liner (Porcelain Reflective)



ZCV3622N
LOGC51 Log Set (Oak)
ZCV36S1BL Surround (Hearth Mount - Black)
ZCV3622ML Liners (Metal Brick)





ZCV3622N
LOGC51 Log Set (Oak)
ZCV3622PRL Liners (Porcelain Reflective)

ZCV3622 OPTIONS

LOG SET

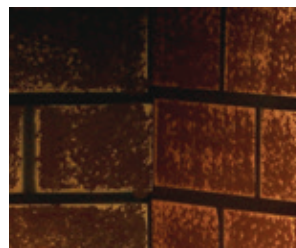


LOGC51 (oak)

LINERS

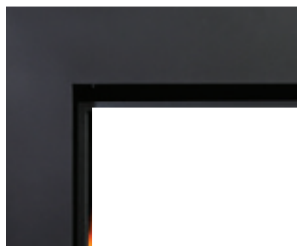


PL (porcelain reflective)

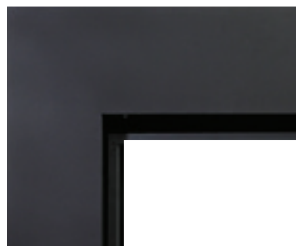


ML (metal brick)

SURROUNDS



Hearth Mount



ZCVRB36SWFBL (flat, black)

THERMOSTAT



REMOTE CONTROL



PF1 or MV



ZCVRB3622

ZERO CLEARANCE **DIRECT VENT** LINEAR GAS FIREPLACE

Warm up your favourite room with the beauty of a Linear Fireplace.



ZCVRB3622NE
Ember Glass (Bronze)
ZCVRB36SBL Surround (Black)
Z3622PRL Liner (Porcelain Reflective)



ZCVRB3622NE

Ember Glass (Bronze)
ZCVRB36SWFBL Surround (Flat, Black)
ZCV3622PRL Liner (Porcelain Reflective)
ULK2 Universal Lighting Kit (Optional)



ZCVRB3622

ZCVRB3622NE
Decorative Ember Glass (Bronze)
ZCV3622PRL Liners (Porcelain Reflective)
ULK2 Universal Lighting Kit





ZCVRB3622NE
Decorative Ember Glass (Bronze)
ZCVRB36SSS Surround (Stainless)
Z3622PRL Liner (Porcelain Reflective)

ZCVRB3622 OPTIONS

MEDIA



Z5GC EMBER GLASS (bronze)

LINERS



PL (porcelain reflective)

THERMOSTAT



REMOTE CONTROL

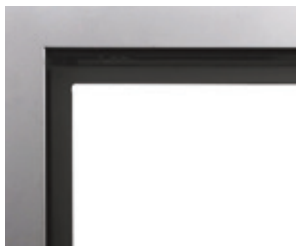


PF1 or MV

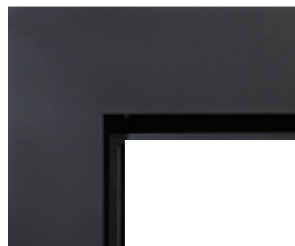
SURROUNDS



ZCVRB36SBL (black)



ZCVRB36SSS (stainless)



ZCVRB36SWFBL (flat, black)



ZCVRB47/60

DIRECT VENT LINEAR GAS FIREPLACE



ZCVRB60NE
Decorative Ember Glass (Bronze)
RBCB1 Cannonballs



View the full
brochure here.





ZCVRB47NE
Decorative Ember Glass (Bronze)
ZCVRB47PL Liner (Porcelain Reflective)
V46EG Front Enclosure Grill (Vented Chase)



ZCVRB47NE
Decorative Ember Glass (Bronze)
ZCVRB47S1SS Surround (Stainless)
ZCVRB47PL Liner (Porcelain Reflective)



ZCVRB47NE
Decorative Ember
Glass (Bronze)
ZCVRB47PL Liner
(Porcelain Reflective)

ZCVRB60NE
ZCVRB60S1SS Surround (Stainless)
Decorative Ember Glass (Bronze)
RBCB1 Cannonballs
ZCVRB60PL Liners (Porcelain Reflective)
VL60EG Front Enclosure Grill (Vented Chase)





ZCVRB60NE
ZCVRB60S1BL Surround (Black)
Decorative Ember Glass (Bronze)
ZCVRB60PL Liners (Porcelain Reflective)

ZCVRB47/60 OPTIONS

MEDIA



Z5GC EMBER GLASS (bronze)



RBCB1 (cannonballs)

THERMOSTAT



REMOTE CONTROL

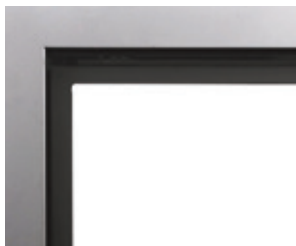


PF1 or MV

SURROUNDS



Black



Stainless

LINERS



PL (porcelain reflective)



MCVP42

ZERO CLEARANCE **DIRECT VENT**
PENINSULA GAS FIREPLACE

Make the most of the best view in the house with our line of Zero Clearance Direct Vent Peninsula Gas Fireplaces. Ideally suited for new construction or renovations anywhere in your home.



MCVP42NHE
M42LG Log Grate
M42LOG4 Log Set (Oak)
MP42RLT Liner (Traditional Brick)



MCVP42NHE
MP42GT Glass Tray
Decorative Ember Glass (Bronze)
RBCB1 Media (Cannonballs)
MP42PL Liner (Porcelain Reflective)



MCVP42

MCVP42NHE
MP42GT Glass Tray
ZG5C Decorative Ember Glass (Bronze)
MP42PL Liner (Porcelain Reflective)





MCVP42NHE
 MP42GT Glass Tray
 ZG5C Decorative Ember Glass (Bronze)
 M42LOG3 Log Set (Driftwood)
 MP42PL Liner (Porcelain Reflective)

MCVP42 OPTIONS

LOG SETS



M42LOG4 (oak)



M42LOG3 (driftwood)

MEDIA



Z5GC EMBER GLASS (bronze)



RBCB1 (cannonballs)

LINERS



RLT (traditional brick)



PL (porcelain reflective)

THERMOSTAT



REMOTE CONTROL



PF1 or MV



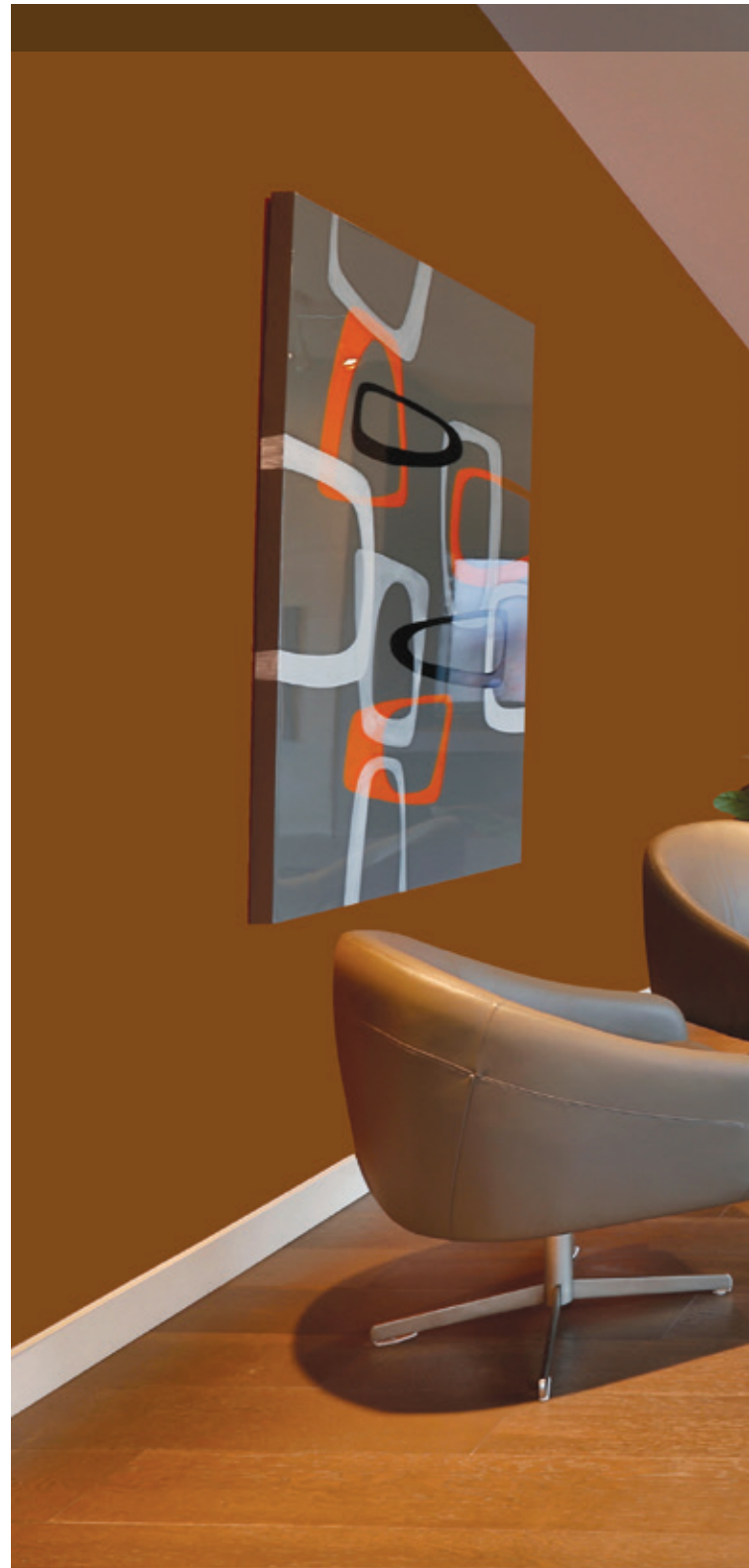
MCVST42

ZERO CLEARANCE **DIRECT VENT** SEE-THROUGH
GAS FIREPLACE

Make the most of the best view in the house with our line of Zero Clearance Direct Vent See-Through Gas Fireplaces. Ideally suited for new construction or renovations anywhere in your home.



MCVST42NHE
Decorative Ember Glass (Bronze)
ZCV42S1PFBL Surround (Picture Frame 4" Wide)
MST42GT Glass Tray
MST42PL Liner (Porcelain Reflective)



GAS FIREPLACES – MULTI-SIDED

MCVST42NHE

M42LOG4 Log Set (Oak)

M42LG Log Grate

MST42RLT Liner (Traditional Brick)



MCVST42

MCVST42NHE
MST42GT Glass Tray
Decorative Ember Glass (Bronze)
M42LOG3 Log Set (Driftwood)
MST42PL Liner (Porcelain Reflective)



MCVST42NHE

ZCV42S2PFBL Surround
 (Picture Frame 1 5/8" Wide)
 MST42GT Glass Tray
 Decorative Ember Glass (Bronze)
 RBCB1 Media (Cannonballs)
 MST42PL Liner (Porcelain Reflective)



MCVST42 OPTIONS

LOG SETS



M42LOG4 (oak)



M42LOG3 (driftwood)

MEDIA



Z5GC EMBER GLASS (bronze)



RBCB1 (cannonballs)

LINERS



RLT (traditional brick)



PL (porcelain reflective)

THERMOSTAT



REMOTE CONTROL



PF1 or MV



ZVFCV39/42/47

ZERO CLEARANCE UNIVERSAL **VENT-FREE** GAS FIREPLACE

Vent-Free appliances can only be installed in some areas of the United States.



ZVFCV39/42/47 OPTIONS

LOG SETS



LOGF18 (oak)



LOGF24 (oak)



LOGF30 (oak – ZVFCV47 only)

THERMOSTAT



REMOTE CONTROL



PF1 or MV

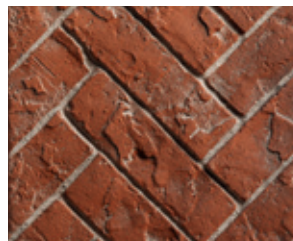
LINERS



RLT (traditional brick)



RLH (herringbone brick)



RRH (red herringbone brick)



RLS (stacked brick)

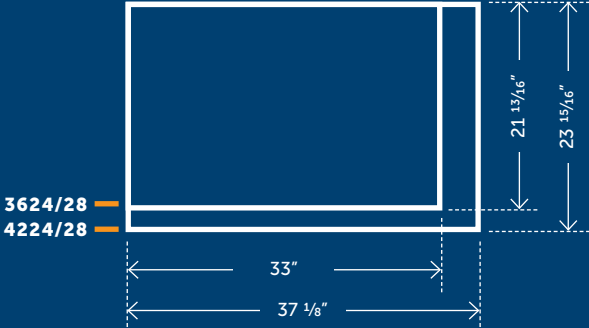


ZVFCV42
GLVF24MVN Millivolt Natural Gas Burner (Vent-Free)
LOGF24 Log Set (Fiber Split Oak)
ZCV42RLH Liner (Herringbone Brick)

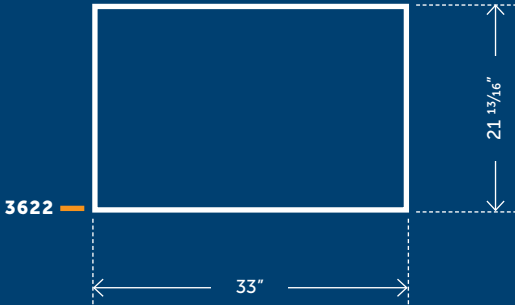
VIEWING AREA DIMENSIONS

GAS FIREPLACES

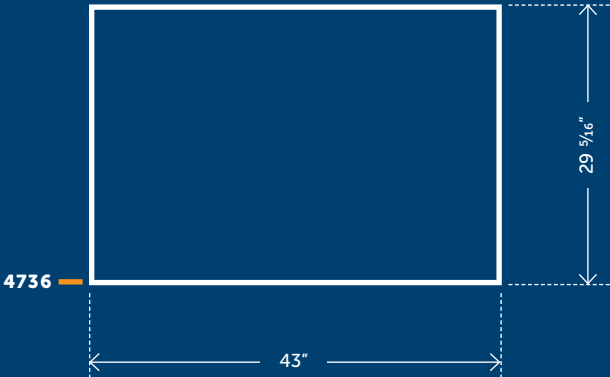
HBZDV3624/28, HBZDV4224/28



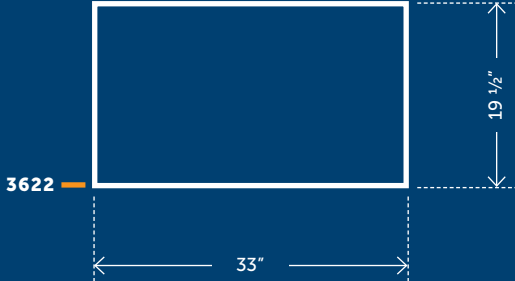
ZCV3622



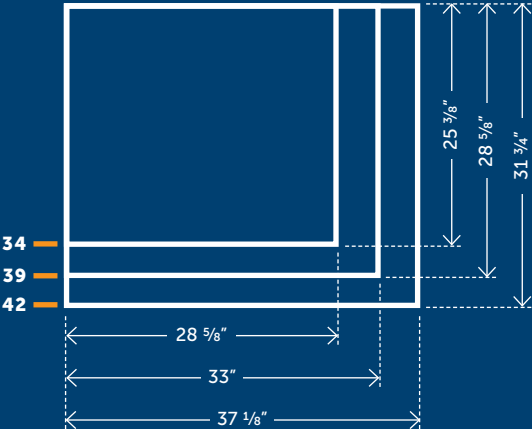
HBZDV4736



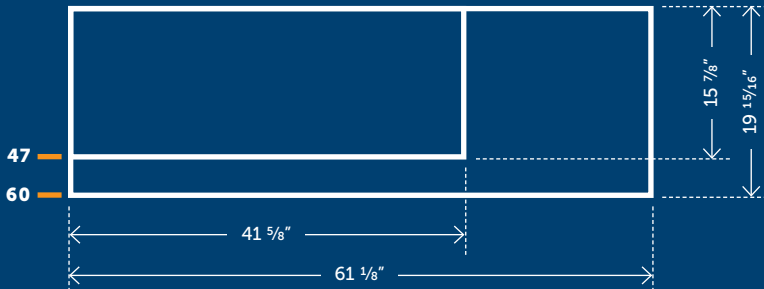
ZCVRB3622



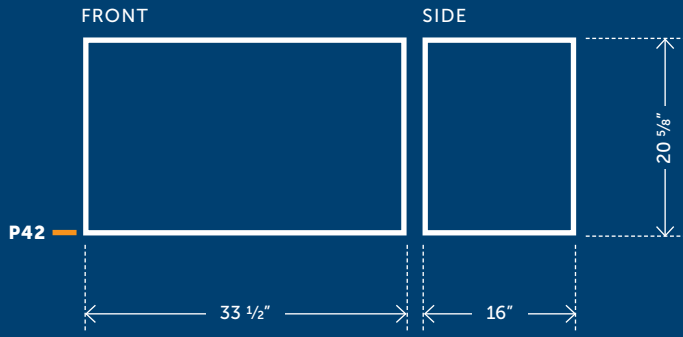
ZCV34/39/42



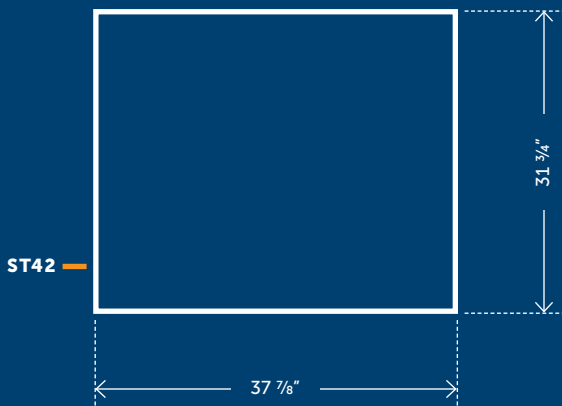
ZCVRB47/60



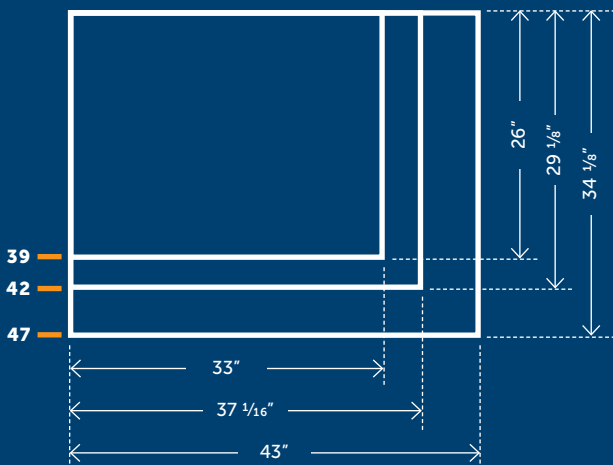
MCVP42



MCVST42



ZVFCV39/42/47





GAS FIREPLACE INSERTS

Convert your wood burning fireplace to gas, for a new standard of warmth, beauty, safety and convenience.

DIRECT VENT

Inserts are complete units that fit into existing wood burning fireplaces. They require no additions such as glass doors, and consist of a combustion chamber with gas logs. They utilize the existing chimney by using flexible gas liner(s).



IDV24

IDV24/34/44

DIRECT VENT GAS FIREPLACE INSERT



IDV24NE2
LOGF24OAK Log Set (Oak)
IDV24RLT Liner (Traditional Brick)
I24CV1BL Clean View



IDV24NE2
Ember Glass (Bronze)
RBCB1 Media (Cannonballs)
I24CV1BL Clean View (Black)
I24S3827 Surround





IDV34LP
LOGF35 Log Set (Fiber Split Oak)
I34CV1BL Clean View (Black)
IDV33RL Liner (Traditional Brick)



IDV34NE2
I34CV1BL Clean View Kit (Black)
I34S3927BL Surround (Black)
RSP10 Glass Support Platform
Decorative Ember Glass (Bronze)
IDV33PRL Liner (Porcelain Reflective)



IDV34LPE2
LOGF35 Log Set (Fiber Split Oak)
I34CV6BL Clean View with Backer Surround (Black)
IDV33RL Liner (Traditional Brick)



IDV34LPE2
I34CV1BL Clean View Kit (Black)
I34SPF4131BL Picture Frame Surround (Black)
LOGF35 Log Set (Fiber Split Oak)
IDV33RL Liner (Traditional Brick)



IDV44NE2
I44CV1BL Clean View Kit (Black)
I44S4432BL Surround (Black)
LOGF36 Log Set (Fiber Split Oak)
IDV36RLT Liner (Traditional Brick)

IDV24/34/44 OPTIONS

LOG SETS



LOGF24OAK (fiber split oak)
IDV24



LOGF35 (fiber split oak)
IDV34



LOGF36 (fiber split oak)
IDV44

MEDIA



Z5GC EMBER GLASS (bronze)*



RBCB1 (cannonballs)

THERMOSTAT



REMOTE CONTROLS



PF2

PF1 or MV

LINERS



Traditional Brick (IDV24)



Traditional Brick (IDV34/44)



Herringbone Brick (IDV44)

*IDV34/44 Requires RSP10 Support Platform



IDV26

DIRECT VENT GAS FIREPLACE INSERT



IDV26NE2
LOGF27 Log Set (Split Oak)
I26CVPF1BL Clean View (Picture Frame – Black)
IDV26RL Liner (Traditional Brick)



IDV26NE2
LOGF27 Log Set (Split Oak)
I26CVPF2BL Clean View Kit
(Picture Frame – Black)
IDV26RL Liner (Traditional Brick)



IDV26NE2
LOGF27 Log Set (Split Oak)
I26CV2BL Clean View Kit (Black)
IDV26RL Liner (Traditional Brick)



IDV26NE2
LOGF27 Log Set (Split Oak)
I26CVPF1BL Clean View
(Picture Frame – Black)
IDV26PRL Liner (Porcelain
Reflective)



IDV26NE2
LOGF27 Log Set (Split Oak)
I26CV1BL Clean View Kit (Black)
I26S1BL Surround (Black)
IDV26RL Liner (Traditional Brick)



View the full brochure here.



IDV26NE2
 LOGF27 Log Set (Split Oak)
 I26CV3BL Clean View (Black)
 IDV26RL Liner (Traditional Brick)

IDV26 OPTIONS

LOG SET



LOGF27 (fiber split oak)

LINER



Traditional Brick

THERMOSTAT



REMOTE CONTROLS



PF2

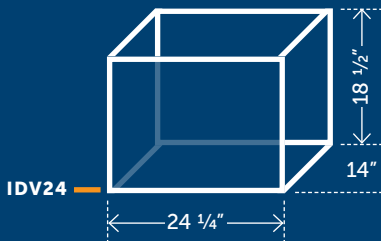
PF1 or MV

DIMENSIONS

GAS FIREPLACE INSERTS

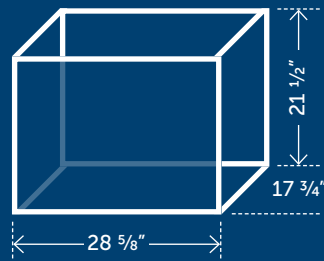
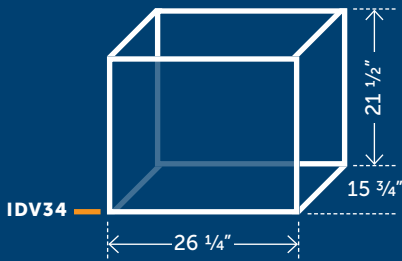
MINIMUM FIREPLACE OPENING

IDV24/34/44

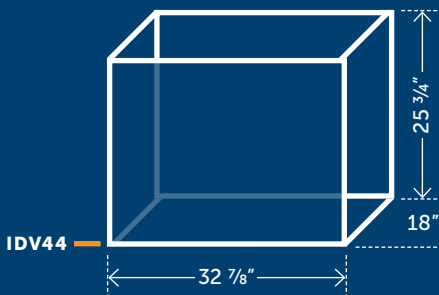


I34CV6BL

I34CV1 / MQ34CV2 / MQ34CV3 / MQ34CV4PF



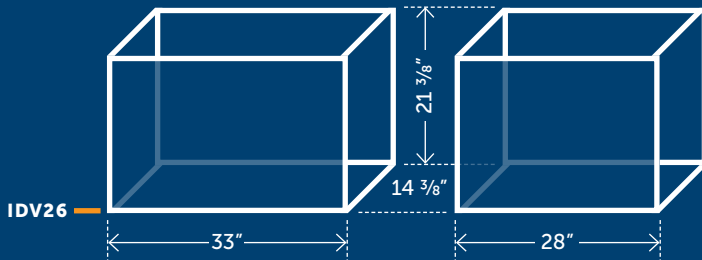
I44CV1 / MQ44CV2 / MQ44CV3



IDV26

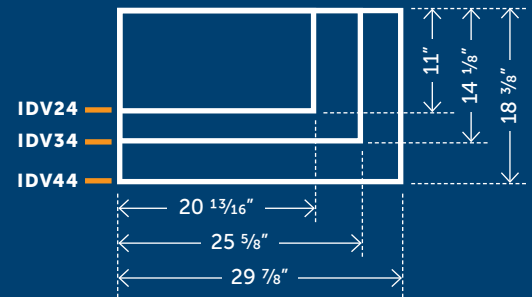
COMPONENTS IN

COMPONENTS OUT

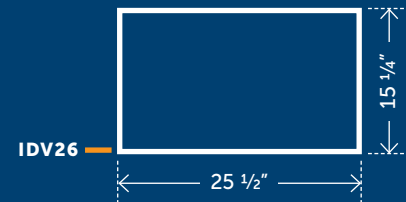


VIEWING AREA

IDV24/34/44



IDV26



FREESTANDING STOVES

Warm up your favorite room with the beauty of a Kingsman Freestanding Gas Stove.

DIRECT VENT

Safe and efficient heating appliances with the convenience of gas. Your best choice for installation anywhere throughout your home.

VENT-FREE*

The ultimate in Vent-Free Freestanding Gas Stoves for new home construction or renovation, and your best choice for installation anywhere throughout your home.

**Vent-Free appliances can only be installed in some areas of the United States.*



View the full brochure here.

FDV200S

FREESTANDING DIRECT VENT GAS STOVE



FDV200SNE2
LOGC200 Log Set (Split Oak with Embers)
FDV200RL Liner (Traditional Brick)

FDV200S OPTIONS

LOG SETS



LOGC200 (oak with embers)

LINERS



RLT (traditional brick)

THERMOSTAT



REMOTE CONTROLS



PF2

PF1 or MV



View the full brochure here.

FDV350

FREESTANDING DIRECT VENT GAS STOVE



FDV350NE2
F35DB Door Frame (Black) with Ceramic Glass
LOGF35 Log Set (Fiber Oak with Embers)

FDV350 OPTIONS

LOG SETS



LOGF35 (fiber oak)

LINERS



RLT (traditional brick)

THERMOSTAT



REMOTE CONTROLS



PF2

PF1 or MV



FDV451

FREESTANDING DIRECT VENT GAS STOVE



ABOVE

FDV451NE2

F450FBL Door Front (Charcoal with Black Posts)
F451SDSBL Side Doors (Black Frame and Charcoal Solid Panel)
LOGF451 Log Set (Oak)
F451RLT Liner (Traditional Brick)

RIGHT

FDV451NE2

F450FBL Door Front (Charcoal with Black Posts)
F451SDSBL Side Doors (Black Frame and Charcoal Solid Panel)
Z5GC Ember Glass (Bronze)
RBCB1 Media (Cannonballs)
F45LG Log Grate



FDV451NE

- F450FBL Door Front (Charcoal with Black Posts)
- F451SDSBL Side Doors (Black Frame and Charcoal Solid Panel)
- Z5GC Ember Glass (Bronze)
- F45LG Log Grate
- F451PL Liner (Porcelain Reflective)
- F45FK Fan Kit





FDV451NE2
F450FBL Door Front (Charcoal with Black Posts)
F451SDSBL Side Doors (Black Frame and Charcoal Solid Panel)
LOGF451 Log Set (Oak)
F451RLT Liner (Traditional Brick)

FDV451 OPTIONS

LOG SETS



LOGF451 (oak)

MEDIA



Z5GC EMBER GLASS (bronze)



RBCB1 (cannonballs)

THERMOSTAT



LINERS



RLT (traditional brick)



RLH (herringbone brick)



PL (porcelain reflective)

REMOTE CONTROLS



PF2

PF1 or MV



View the full brochure here.

FVF350

FREESTANDING **VENT-FREE** GAS STOVE

Vent-Free appliances can only be installed in some areas of the United States.



FVF350
FVFB350MVN Natural Gas Millivolt Burner
FVF350DB Door Frame (Black)
LOGF35 Log Set (Fiber Oak)

FDV350 OPTIONS

LOG SETS



LOGF35 (fiber oak)

LINERS



RLT (traditional brick)

THERMOSTAT



REMOTE CONTROLS



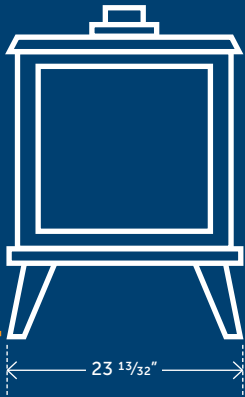
PF1 or MV

DIMENSIONS

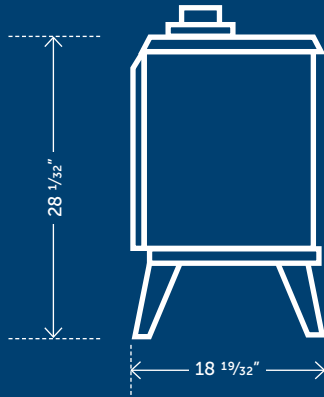
FREESTANDING STOVES

FDV200S

FRONT



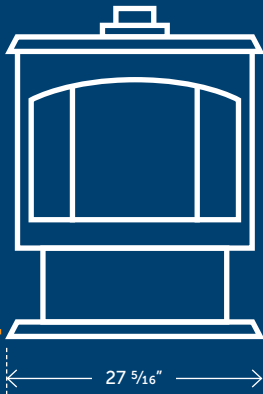
SIDE



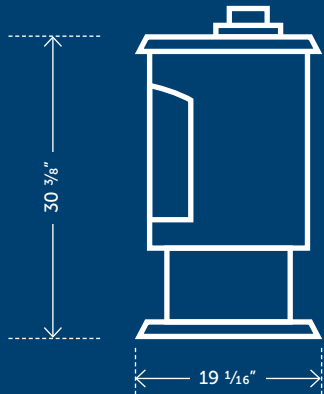
FDV200S

FDV350

FRONT



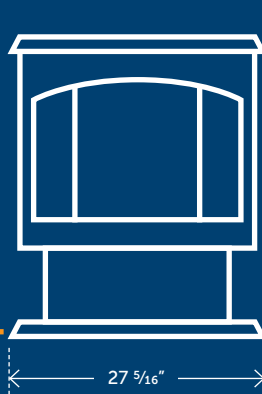
SIDE



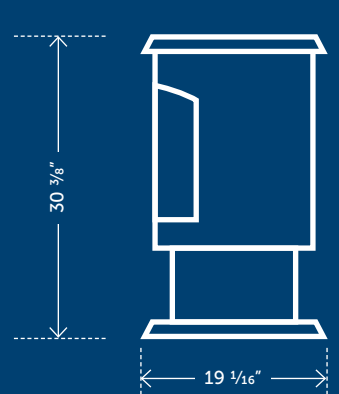
FDV350

FVF350

FRONT



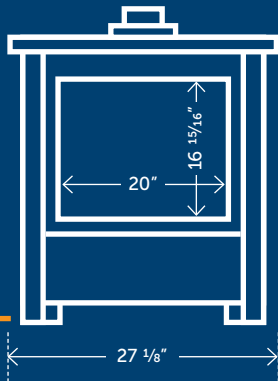
SIDE



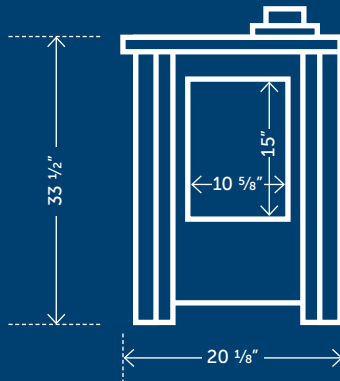
FVF350

FDV451

FRONT



SIDE



FDV451

OUTDOOR LIVING

A unique focal point for any deck or patio, our gas firepits and fireplaces create instant ambiance and a natural gathering place for friends and family.

FIRE PITS

Create your own design around your fire pit using non-combustible materials.

OUTDOOR FIREPLACES

Our outdoor fireplaces are designed specifically to withstand the elements and are ideally suited for both a contemporary and classic look.

BURNERS

Completely flexible, outdoor burners are the perfect project for do-it-yourselfers.



FP2085/2785

OUTDOOR FIRE PITS

The Ultimate in Outdoor Fire Pits and Accessories. Create your own design around your fire pit using non-combustible materials. The outdoor fire pits and bowls can be installed on top of wood decks or patios, 24" clearance to side walls. Allow 7 feet clearance from top of fire bowl or pit to any ceiling.



FP2085LPT
FPB30SGT Concrete Fire Bowl (Smooth Grey)
FPB32TRG Trim Ring (Charcoal)



FP2085LPT
FPB30SGT Concrete Fire Bowl (Smooth Grey)





FP2085 OPTIONS & ACCESSORIES

LOG SETS



LOGC85 (oak)



LOGC86 (oak)

TRIM RING



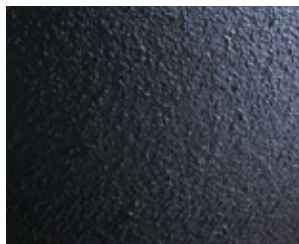
FPB32TRG (trim ring)

FIRE PIT RING

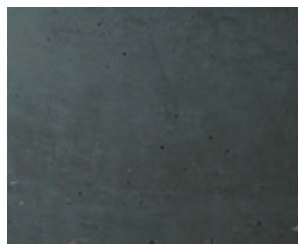


FP20SSRT (stainless steel ring)

BOWL COLORS



FPB30TBT (textured charcoal)



FPB30SGT (smooth grey)

ROUND FIRE PIT



FP2085NT (round fire pit)

TABLE TOP COVER



FP20COV (for round fire pit)



FP2785LPT-FL
LOGC86 Log Set (Oak)

FP2785 OPTIONS & ACCESSORIES

LOG SETS



LOGC85 (oak)



LOGC86 (oak)

COVERS



FLAT COVER



FP27COV Optional Cover
(for use with log set)



OFP42

ZERO CLEARANCE **OUTDOOR** GAS FIREPLACE



OFP42N
LOGF37 Log Set (Split Oak)
OFP42RLT Liner (Traditional Brick)



OFP42NS
(in Stainless Steel)
LOGF37 Log Set (Split Oak)
OFP42RLH Liner (Herringbone Brick)



OFP42 OPTIONS

LOG SET



LOGF36 (split oak)

LINERS



OFP42RLT (traditional brick)



OFP42RLH (herringbone brick)



OB24/36/48/72/96MVN

OUTDOOR GAS BURNER SYSTEMS

Five sizes available (24, 36, 48, 72, 96") and for longer lengths simply link them together to create your own custom size!

Plus, adding decorative glass, cannonballs and wind guard options ensure you create the look you want. When you have achieved your desired look, invite family and friends to gather around for a perfect get together outdoors.



OB72MVN
Z5GC Ember Glass (Bronze)
RBCB1 Media (Cannonballs)





OB48MVN
Z5GC Ember Glass (Bronze)
OB48WG Wind Guard

OB24/36/48/72/96MVN OPTIONS

MEDIA



Z5GC EMBER GLASS (bronze)



CANNONBALLS – assorted colors and sizes (optional)

WIND GUARDS (RECOMMENDED)

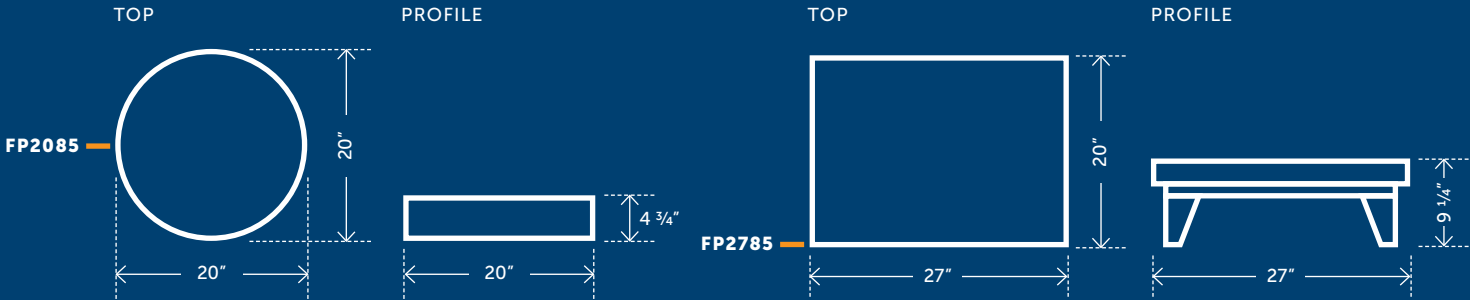


4 PC (5-1/2" height)

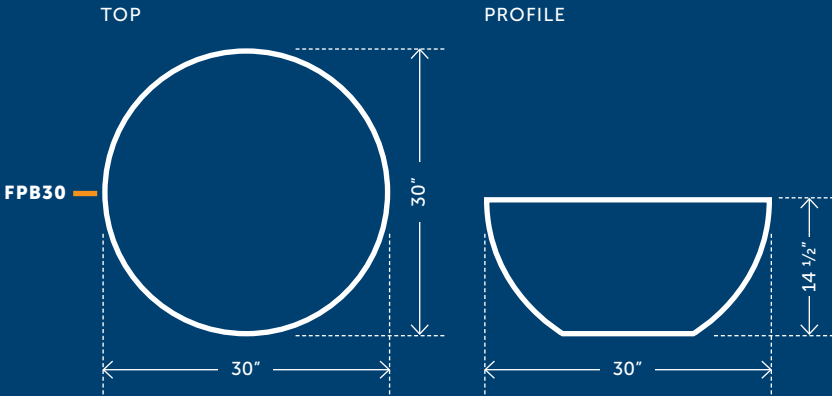
VIEWING AREA DIMENSIONS

OUTDOOR LIVING

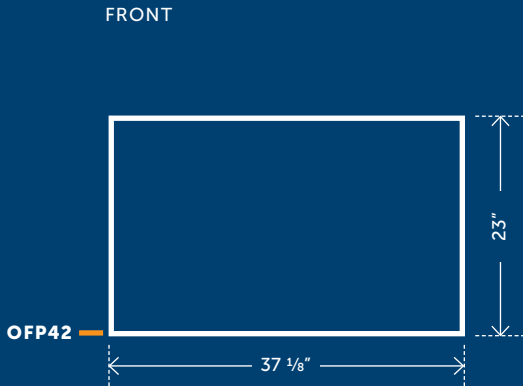
FP2085/2785



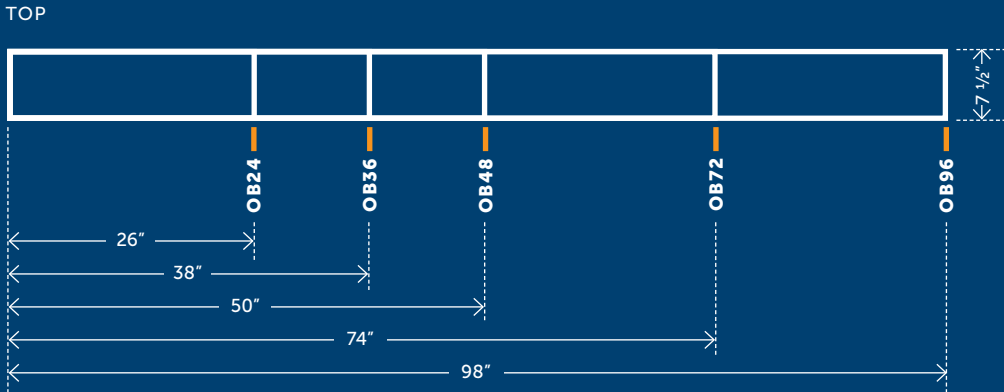
FPB30



OFP42



OB24/36/48/72/96MVN



STYLING OPTIONS

Create an elegant and warm focal point in your home. Choose from a variety of decorative options, including log sets, to create your own distinctive appearance and be assured of complete safety, comfort and long lasting value from a manufacturer of wood and gas fireplaces with more than 45 years of experience.

LOG SETS

VENTED / VENT-FREE LOG SETS

Enjoy the elegance and warmth of glowing embers and dancing flames around our oak log sets. It is sure to be the focal point of your home.

Logs are available for vented or vent-free applications in propane or natural gas. They can be installed in approved in universal vent-free fireboxes, or in wood burning masonry and zero clearance fireplaces. Kingsman offers a variety of styles with different features and benefits.



View log sets here.



LOGF18 (GLVF24MAN gas burner)



LOGF24 (GLVF24MVN gas burner)



LOGF30 (GLVF24MVN gas burner)

MINIMUM FIREPLACE DIMENSIONS

	Front width	Back Width	Height	Depth
For 18" Log Sets	22"	19"	18 3/4"	12 1/2"
For 24" Log Sets	29"	22-1/2"	18 3/4"	12 1/2"
For 30" Log Sets	38"	28"	18 3/4"	13 1/2"

LOG SETS



LOGC44 (burnt oak)



LOGC51 (oak)



LOGC86 (oak 5pc.)



LOGF3 (split oak 5pc.)



LOGF27 (fiber split oak)



LOGF35 (fiber split oak)



LOGF36 (oak)



LOGF451 (oak)



M42LOG3 (driftwood 6pc.)



M42LOG4 (oak)

ACCESSORIES



View all of the accessories here.

LINERS



PORCELAIN REFLECTIVE



OFP42RLT (Traditional Brick)



OFP42RLH (Herringbone Brick)



TRADITIONAL BRICK



HERRINGBONE BRICK



RED HERRINGBONE BRICK



STACKED BRICK

MEDIA



LAVA ROCK



Z5GC EMBER GLASS (bronze)



RBCB1 (Multi-Colored Cannonballs)

WARRANTY



View the warranty here.



LIMITED LIFETIME WARRANTY

This Limited Lifetime Warranty applies only while the unit remains at the site of the original installation and only if the unit is installed inside the continental United States, Alaska, Hawaii, and Canada. The warranty applies only if the unit is installed and operated in accordance with the printed instructions and in compliance with applicable installation and building codes and good trade practices.

BASIC ONE YEAR WARRANTY

During the first year after installation, we will provide a replacement for any component part of your unit found to be defective in materials or workmanship, including labour costs. Repair work requires prior approval by Kingsman, labour costs are based on a predetermined rate schedule and any repair work must be done through an authorized Kingsman dealer. (Excluded Components: Accent Light Bulbs, Gasketing and Paint).

LIMITED LIFETIME WARRANTY

The heat exchanger, combustion chamber and burner of every Kingsman product excluding the Outdoor Fire Bowl and Pit are warranted against materials or workmanship during the period the product is owned by the original owner. The part to be replaced must be returned to our distributor in exchange for the replacement part. Any labor, material, freight and/or handling charges associated with any repair or replacement pursuant to this Limited Lifetime Warranty will not be covered by this warranty.

GENERAL TERMS

In lieu of providing a replacement part, we may, at our option, provide the distributor's component purchase price from us or a credit equal to the distributor's component purchase price from us toward the purchase of any new unit which we distribute. If a credit is given in lieu of a replacement part, the rating plate from the unit being replaced must be submitted on a warranty claim, and the unit being replaced must be made available to our distributor for disposition.

In establishing the date of installation for any purpose, including determination of the starting date for the term of this Limited Lifetime Warranty, reasonable proof of the original installation date must be presented*, otherwise the effective date will be based upon the date of manufacture plus thirty (30) days.

We will not be responsible for and you, the user, will pay for: (a) damages caused by accident, abuse, negligence, misuse, riot, fire, flood, or Acts of God (b) damages caused by operating the unit where there is a corrosive atmosphere containing chlorine, fluorine, or any other damaging chemicals (other than in a normal residential environment) (c) damages caused by any unauthorized alteration or repair of the unit affecting its stability or performance (d) damages caused by improper matching or application of the unit or the unit's components (e) damages caused by failing to provide proper maintenance and service to the unit (f) any expenses incurred for erecting, disconnecting or dismantling the unit (g) parts or supplies used in connection with service or maintenance (h) damage repairs, inoperation or inefficiency resulting from faulty installation or application (i) electricity or fuel costs or any increase in electricity or fuel cost whatsoever including additional or unusual use of supplemental electric heat.

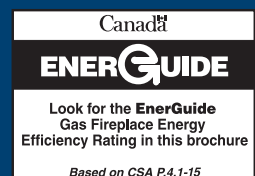
We shall not be liable for any incidental, consequential, or special damages or expenses in connection with any use or failure of this unit. We have not made and do not make any representation or warranty of fitness for a particular use or purpose, and there is no implied condition of fitness for a particular use or purpose. We make no express warranties except as stated in this Limited Lifetime Warranty. No one is authorized to change this Limited Lifetime Warranty or to create for us any other obligation or liability in connections with this unit. Any implied warranties shall last for one year after the original installation. Some states and provinces do not allow the exclusion or limitation of incidental or consequential damages or do not allow limitations on how long an implied warranty or condition lasts, so the above limitations or exclusions may not apply to you. The provisions of this limited warranty are in additions to and not a modification of or subtraction from any statutory warranties and other rights and remedies provided by law.



THE ULTIMATE IN DESIGN, ENGINEERING & QUALITY



Kingsman Fireplaces maintains a program of continuous testing, refinement and improvements of all its products. Some aspect of units shown here may be changed at any time without notice or obligation. Some aspect of units shown here may be changed at any time without notice or obligation.



2340 Logan Avenue, Winnipeg, Manitoba, CAN R2R 2V3 Phone: 204.632.1962 Fax: 204.632.1960

kingsmanind.com