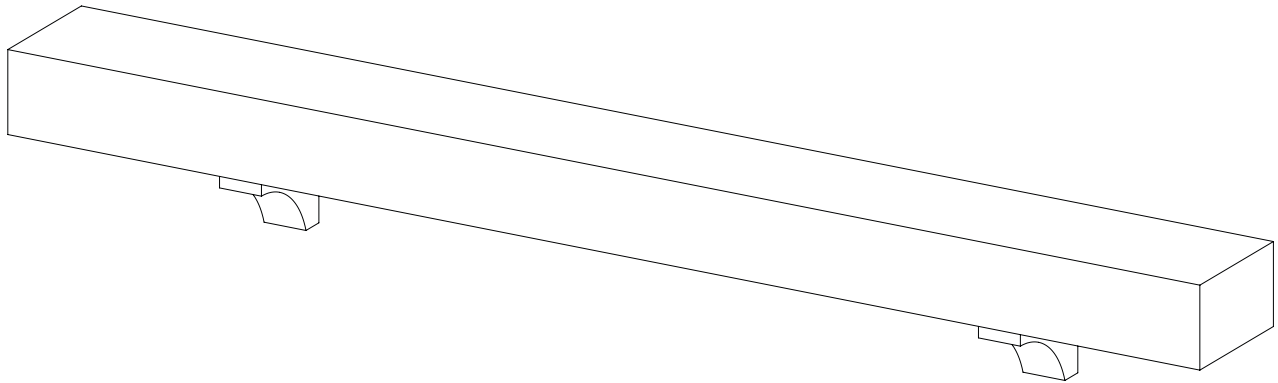




DESIGN SPECIALTIES

Thermastone Mantel



Banded Beam 60", 72", 84" - DSTSM5-3, DSTSM6-3, DSTSM7-3

Chiseled Beam 72", 84" - DSTSM6-1, DSTSM7-1,

Classic Beam 60", 72", 84" - DSTSM5-2, DSTSM6-2, DSTSM7-2

Modern Beam 60", 72" 84" - DSTSM5-4, DSTSM6-4, DSTSM7-4

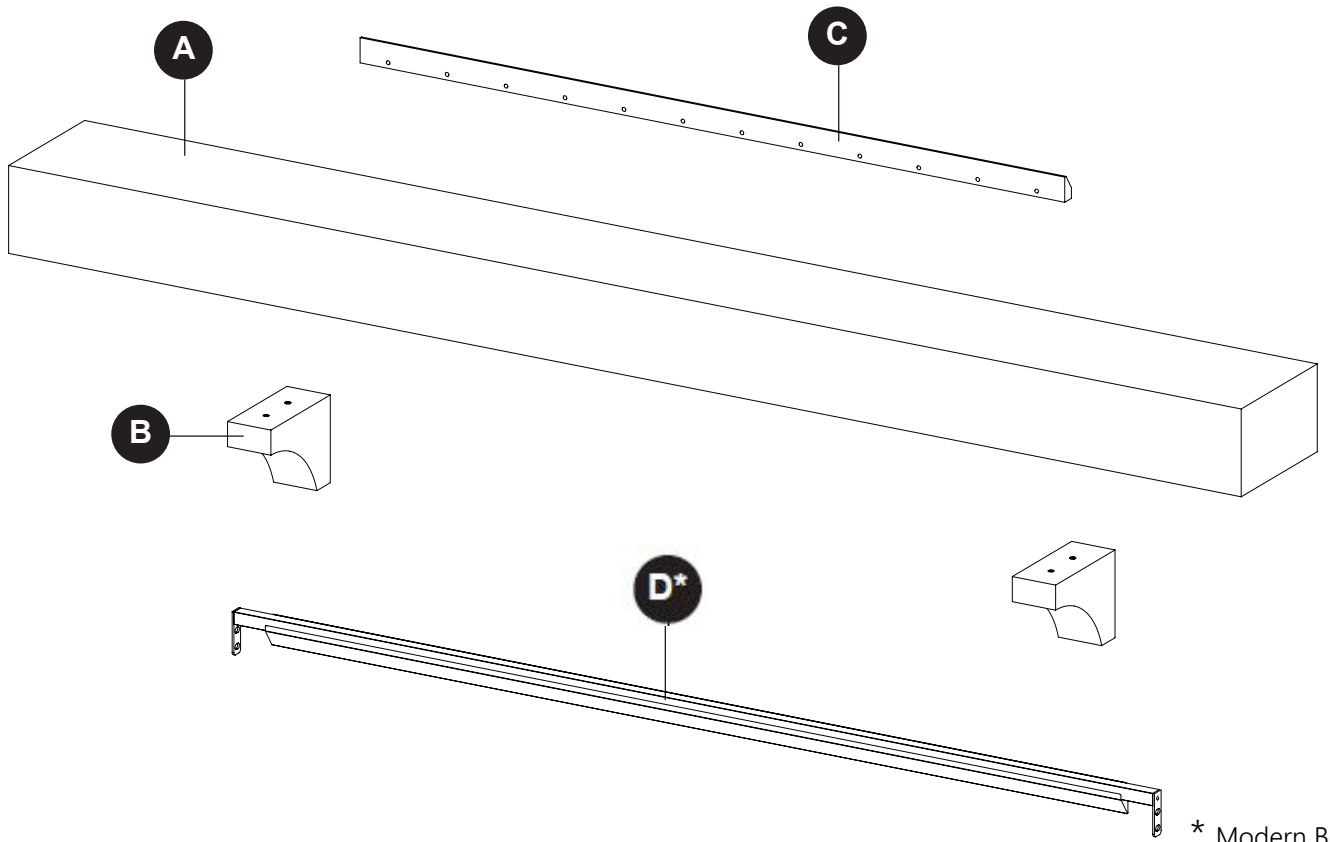
ATTACH YOUR RECEIPT HERE

Serial Number _____ Purchase Date _____



Questions, problems, missing parts? Before returning to your retailer, call our customer service department at 1-414-371-1200, 8:00 a.m. – 5:00 p.m. CST, Monday – Friday, or email us at info@designspecialties.com.

PACKAGE CONTENTS



* Modern Beam,
Classic Beam 60", &
Banded Beam 60"Only

PART	DESCRIPTION	QUANTITY
A	Mantel	1
B	Corbel	2
C	Wooden Bracket	1
D	Support Bracket *	1

 **WARNING**

Check with local building codes and the recommended mantel clearance for your particular fireplace or stove model. Failure to do so will void the product warranty and could result in a dangerous condition.

Thermastone Statment

Thermastone mantels, by Design Specialties, are made of a proprietary mix consisting of industrial grade glass reinforced concrete, fiber mesh, magnesium oxide and poly-resin. The material has many years of proven performance history having been used in select outdoor heating products. Thermastone mantels are a great fire-resistant option for hearth applications. Thermastone samples have been tested to 1,382 degrees Fahrenheit, and the samples did not smoke or flame. These mantels also offer:

- Amazing realism
- Lightweight, easy installation
- Low maintenance
- Non-chalking finish

Although Thermastone mantels are high performance, we ask installers to check with local building codes and the recommended clearance for your particular fireplace or stove model from the manufacturer. Failure to do so will void the product warranty and could result in a dangerous condition.

Thermastone mantels are designed to be installed into wood studs or masonry. We have included hardware for installation into wall studs. Installation into masonry may require different fasteners.

! CAUTION

Do not overload the mantel shelf. Maximum weight limit is 100 lbs when using wood studs for mounting.

HARDWARE CONTENTS

MODERN BEAM - MODELS DSTSM5-4, DSTSM6-4, DSTSM7-4

AA



M6 x 35mm
Threaded Stud
Qty. 4

BB



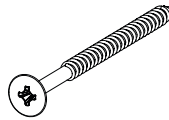
M6 Nut
Qty. 4

CC



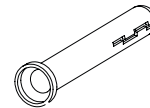
M6 x 30mm
Washer
Qty. 4

DD



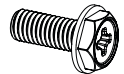
M5 x 75mm
Mounting Screw
Qty. 6

GG



Dia 8 x 60mm
Plastic Wall Anchor
Qty. 5

HH



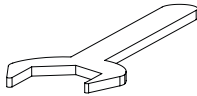
M6 x 16 mm
Support Bracket
Screw
Qty. 4

II



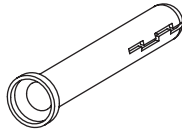
M6*20 Washer
Qty. 10

JJ



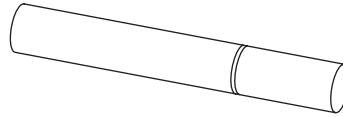
Wrench

KK



Hole Plugs

LL



Touch Up
Marker

BANDED & CLASSIC BEAM - MODELS DSTSM5-3, DSTSM6-3, DSTSM7-3 & DSTSM-5-2, DSTSM6-2, DSTSM7-2

AA



M6 x 35mm
Threaded Stud
Qty. 4

BB



M6 Nut
Qty. 4

CC



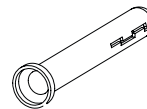
M6 x 30mm
Washer
Qty. 4

EE



M6*16mm
Mounting Screw
Qty.5

GG



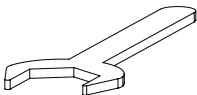
Dia 8 x 60mm
Plastic Wall Anchor
Qty. 5

II



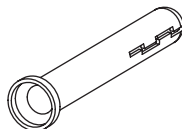
M6*20 Washer
Qty. 10

JJ



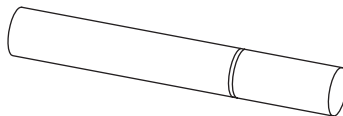
Wrench

KK



Hole Plugs

LL



Touch Up
Marker

HARDWARE CONTENTS

CHISELED BEAM - MODELS DSTSM6-1, DSTSM7-1

AA



M6 x 35mm
Threaded Stud
Qty. 4

BB



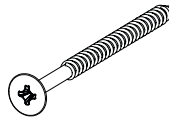
M6 Nut
Qty. 4

CC



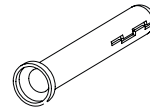
M6 x 30mm
Washer
Qty. 4

DD



M5 x 75mm
Mounting Screw
Qty. 6

GG



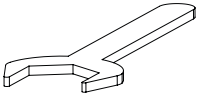
Dia 8 x 60mm
Plastic Wall Anchor
Qty. 5

II



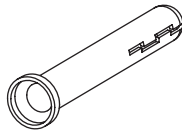
M6*20 Washer
Qty. 10

JJ



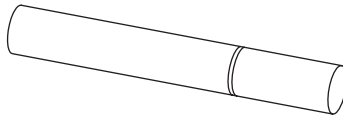
Wrench

KK



Hole Plugs

LL



Touch Up
Marker



SAFETY INFORMATION

Please read and understand this entire manual before attempting to assemble, operate or install the product. If you have any questions regarding the product, please call customer service at 1-414-371-1200, 8:00 a.m. – 5:00 p.m. CST, Monday – Friday, or email us at info@designspecialties.com.

PREPARATION

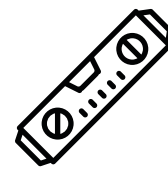
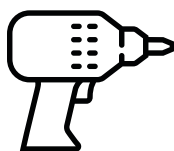
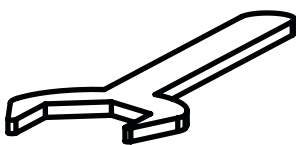
Before beginning assembly of product, make sure all parts are present. Compare parts with package contents list and hardware contents list. If any part is missing or damaged, do not attempt to assemble the product. Contact customer service for replacement parts.

Estimated Assembly Time: 30 minutes

Tools required:

Included: Wrench

Not Included: Drill, Pencil, Tape Measure, Stud Finder, and Level).



ASSEMBLY INSTRUCTIONS

1. CORBEL ASSEMBLY, IF DESIRED.

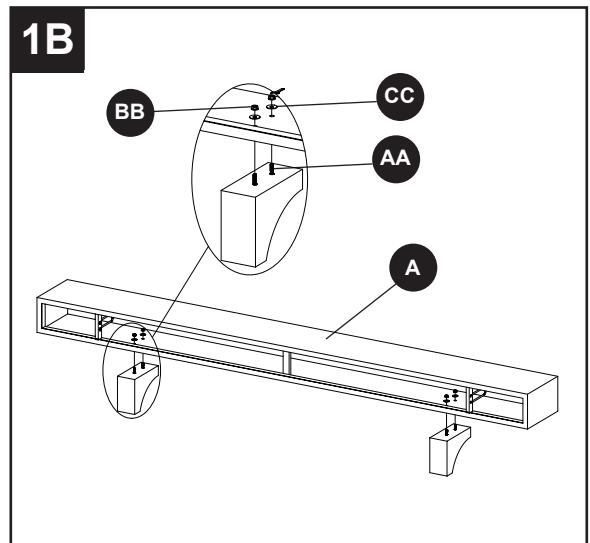
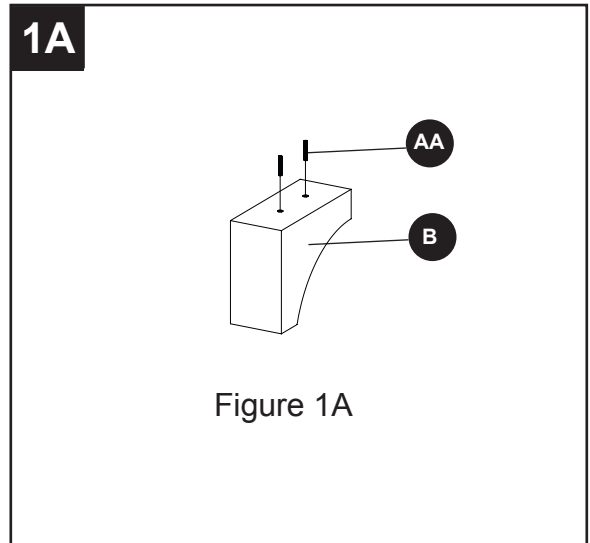
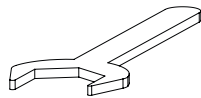
If you do not want to include the corbels, skip this step and go to step # 2.

Insert threaded stud (AA) into corbel (B) as illustrated in figure 1A. As illustrated in figure 1B, insert the threaded studs (AA) into the pre-drilled holes in the corbel (B). Take the corbel with the protruding threaded studs (AA) and insert them into the pre-drilled holes in the mantel (A). Add a M6 x 30mm washer (CC) and a nut (BB) on to the threaded stud (AA) and tighten with the wrench (JJ).

Hardware Used

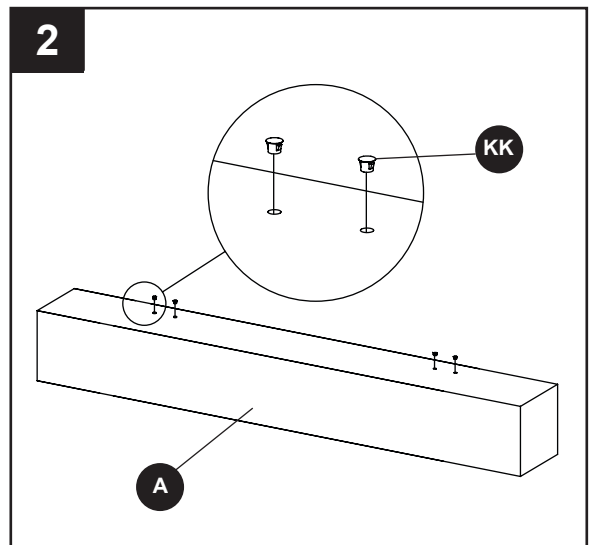
JJ

Wrench



2. NO CORBEL ASSEMBLY:

If you do not want to include the corbels, insert hole plugs (KK) into the corbel holes found on the bottom side of the mantel (A). See figure 2.



ASSEMBLY INSTRUCTIONS

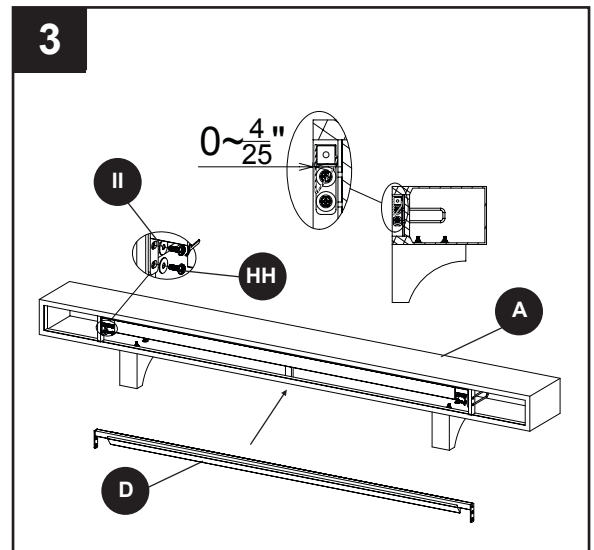
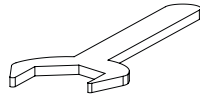
3. For the Modern Beam - models DSTSM5-4, DSTSM6-4 & DSTSM7-4, Classic Beam DSTSM5-2, & Banded Beam DSTSM5-3 ONLY. All other models, please go to step 4.

Insert the support bracket (D) into the man-tel. Place the M6 x 20mm washer (II) onto the support bracket screw (HH) and insert through the pre-drilled holes on the support bracket (D) and into the pre-drilled holes in the mantel (A). Tighten with the wrench (JJ).

Hardware Used



Wrench



4. Determine where the mantel is going to be placed and mark its finished height and width on the wall. Using a stud finder, locate where the studs are and mark them accordingly. Mark them 1/16" down from where the desired top of the mantel will be.

IMPORTANT: Before mounting, make sure the wooden support (C) is in the correct position, with the wedged end facing upward.

Move the wooden support (C) so one of the center holes is aligned with one of the studs in the center. Place a M6 x 20mm washer (II) onto the mounting screw (DD). Insert the mounting screw (DD) into the hole in the wooden support (C) and drill into the wall and stud. Use the level to confirm that the wooden support is level before drilling at least 2 more mounting screws through the wooden support C and into the wall. NOTE: Wall anchors (GG) can be added between studs for additional support.

Ensure the wooden support (C) is level.

Hardware Used



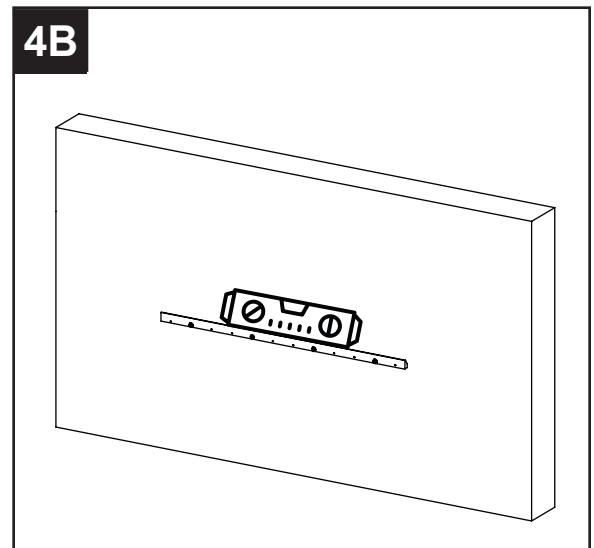
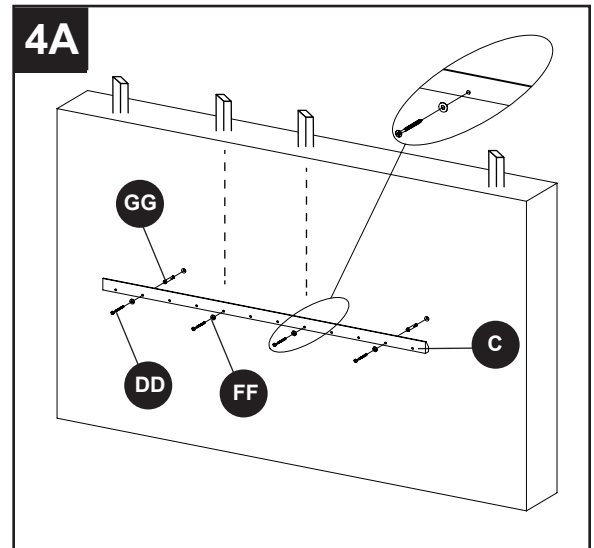
Drill



Pencil

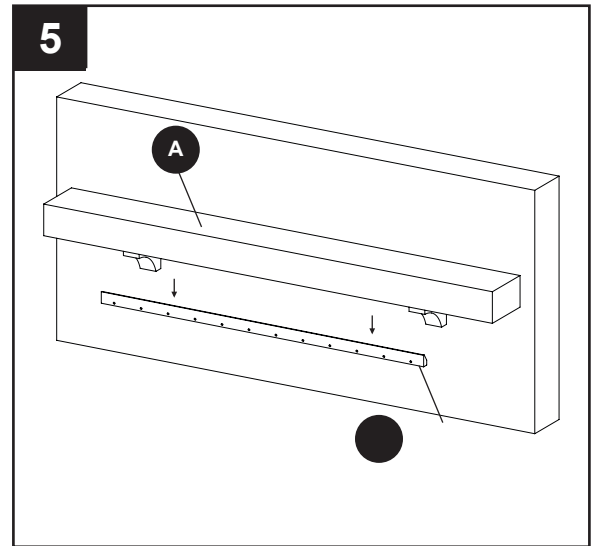


Level



ASSEMBLY INSTRUCTIONS

5. Slide the already installed support bracket (D) in the mantel (A) over the wooden support (C) so the wedges line up like in figure 4.



THERMASTONE SURFACE CARE

Our Thermastone material has been sealed to prevent staining and moisture absorption, but it does require proper maintenance to ensure the integrity of the surface. Please see below for recommendations on maintaining your Thermastone surface for years:

- Use the touch up marker (LL) provided in the event of any chipping or scratching.
- Clean any spills immediately to prevent permanent surface staining or damage.
- Blot any liquid spills with a clean, dry cloth.
- Clean your Thermastone surface with a soft, clean cloth or sponge.
- Mix a solution of warm, clean water and mild dish soap to remove any surface dirt or mild spills.
- Rinse all soap solution off of the mantel and dry it completely to prevent water spots.
- Regularly cleaning the Thermastone surface will help extend the life of the product.
- Do not use petroleum-based or abrasive cleaning products. Do not use any harsh brushes when cleaning the Thermastone surface.
- To avoid scratches and damage, do not slide products across the Thermastone surface.

1-YEAR LIMITED WARRANTY

If within one year from the date of original purchase, this item fails due to a defect in material or workmanship, we will replace or repair at our option, free of charge. To order parts or to obtain warranty service, 1-414-371-1200, 8:00 a.m. – 5:00 p.m. CST, Monday – Friday, or email us at info@designspecialties.com. This warranty does not cover defects resulting from improper or abnormal use, misuse, accident, or alteration. Failure to follow all instructions in the owner's manual will also void this warranty. The manufacturer will not be liable for incidental or consequential damages, or common erosion of outdoor products. Some states do not allow the exclusion or limitation of incidental or consequential damages, so the above limitation may not apply to you. This warranty gives you specific legal rights, and you may also have other rights which vary from state to state.

REPLACEMENT PARTS LIST

For replacement parts, call our customer service department at 1-414-371-1200, 8:00 a.m. – 5:00 p.m. CST, Monday – Friday, or email us at info@designspecialties.com.

CHISELED BEAM CHISELED BEAM CLASSIC BEAM CLASSIC BEAM

PART	DESCRIPTION	DSTSM6-1	DSTSM7-1	DSTSM5-2	DSTSM6-2
A	Mantel	40-01-730	40-01-731	40-01-732	40-01-733
B	Corbel	40-01-726	40-01-726	40-01-727	40-01-727
C	Wood Support	40-01-718	40-01-719	40-01-717	40-01-718
D	Support Bracket	N/A	N/A	40-01-741	N/A
AA-II	Hardware Pack	40-01-746	40-01-747	40-01-746	40-01-746
KK	Hole Plugs	40-01-722	40-01-722	40-01-723	40-01-723
LL	Touch Up Marker	40-01-713	40-01-713	40-01-714	40-01-714

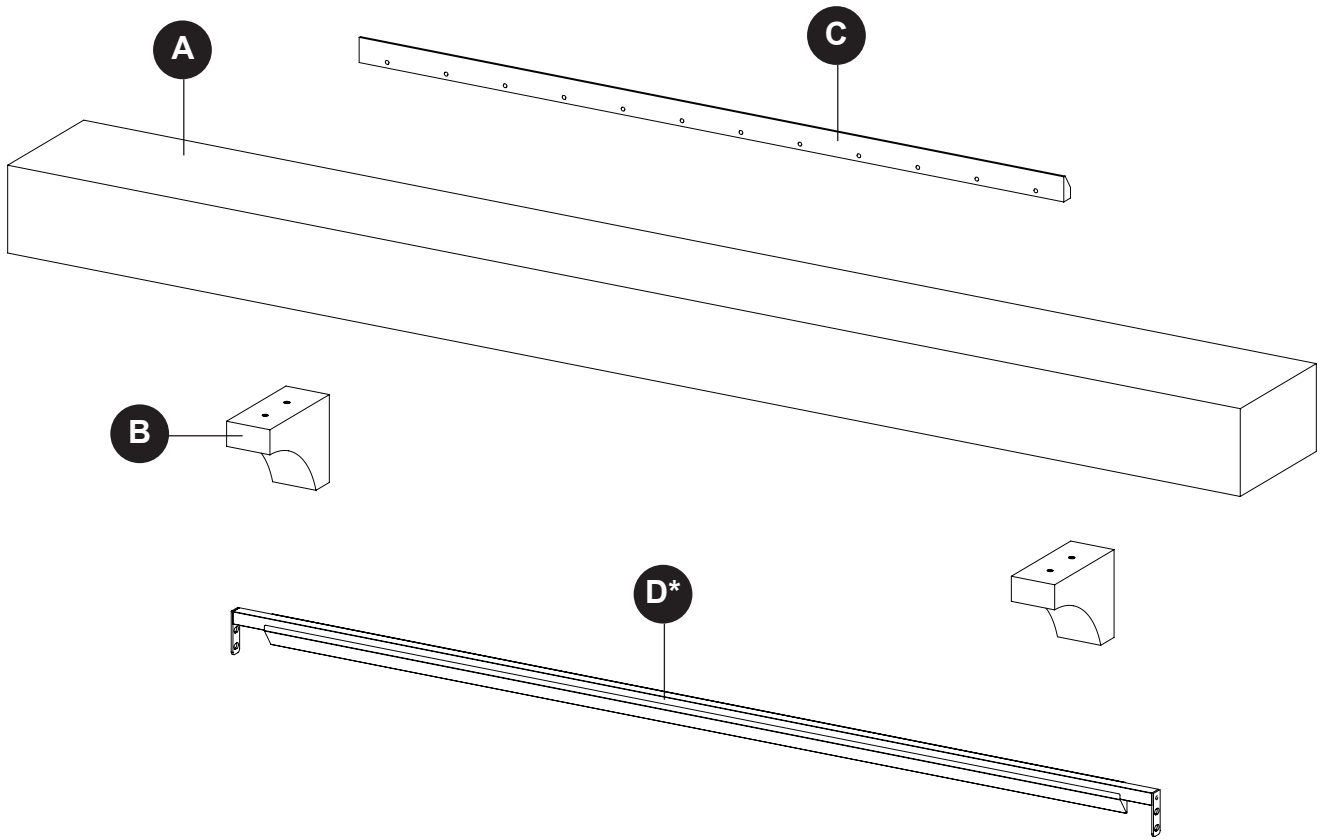
CLASSIC BEAM BANDED BEAM BANDED BEAM BANDED BEAM

PART	DESCRIPTION	DSTSM7-2	DSTSM5-3	DSTSM6-3	DSTSM7-3
A	Mantel	40-01-734	40-01-735	40-01-736	40-01-737
B	Corbel	40-01-727	40-01-728	40-01-728	40-01-728
C	Wood Support	40-01-719	40-01-717	40-01-718	40-01-719
D	Support Bracket	N/A	40-01-741	N/A	N/A
AA-II	Hardware Pack	40-01-747	40-01-746	40-01-746	40-01-747
KK	Hole Plugs	40-01-723	40-01-724	40-01-724	40-01-724
LL	Touch Up Marker	40-01-714	40-01-715	40-01-715	40-01-715

BANDED BEAM MODERN BEAM MODERN BEAM

PART	DESCRIPTION	DSTSM5-4	DSTSM6-4	DSTSM7-4
A	Mantel	40-01-738	40-01-739	40-01-740
B	Corbel	40-01-729	40-01-729	40-01-729
C	Wood Support	440-01-717	40-01-718	40-01-719
D	Support Bracket	40-01-741	40-01-742	40-01-743
AA-II	Hardware Pack	40-01-744	40-01-744	40-01-744
KK	Hole Plugs	40-01-725	40-01-725	40-01-725
LL	Touch Up Marker	40-01-716	40-01-716	40-01-716

REPLACEMENT PARTS LIST



* Modern Beam,
Classic Beam 60", &
Banded Beam 60" Only